

# WinDoor®

HIGH PERFORMANCE DOORS & WINDOWS

V-130 Series & V-800 Series  
Fixed Vinyl Window & Terrace Door



## V-130 Series Fixed Field Glazed Vinyl Window Impact Or Non-Impact

Max Size Single 60" x 60" / 54" x 84"  
or Horizontal Triple 162" x 84"

Unlimited Horizontal Factory  
Mulled Units.

Minimum Sizes Single 18" x 18"

Triple 72" x 18"

DP's Up To +120 / -120

Water Performance up to 30 lbs

Single, Double or Triple Glazed Options

U-Factor as Low as 0.28

SHGC as Low as .17

These durable, vinyl fixed Windows are field glazed from the interior into the heavy duty extruded u-PVC Vinyl frame. The perfect companion to the V-100 Series Tilt & Turn Window or as shown with the V-800 Terrace Door.



## V-800 Series Terrace Door Vinyl Impact Or Non-Impact

Max Size Single 40" x 98"

Minimum Sizes Single 26" x 72"

DP's Up To +90 / -90

Water Performance up to 25 lbs

Single, Double or Triple Glazed Options

U-Factor as Low as 0.28

SHGC as Low as .17

Colorful Choices:  
Our Vinyl Products  
come in White or Bronze,  
or two tone,  
Bronze out / White in.  
Or can be painted any  
Color Under The Sun.



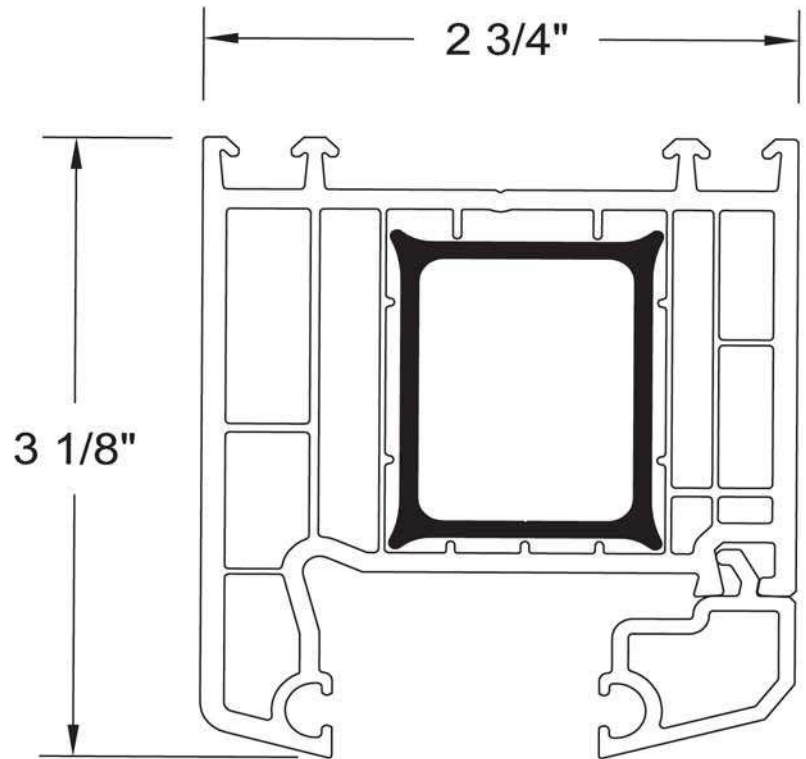
Our Vinyl Single Terrace Door gives you the beauty of a traditional low bottom rail with all the benefits of low-maintenance vinyl.

[www.WinDoorInc.com](http://www.WinDoorInc.com)

More Highlights On The Back

## VINYL FACTS:

- Fusion-Weld Frame and Sashes
- Frame and sash corners are welded mitered joints
- Fully-reinforced design
- Durable. Unlike other materials, Vinyl Windows & Doors will never rust, rot, corrode, blister, flake or fall victim to insect or termite infestation.
- Low-maintenance... Our vinyl products are easy to clean and maintain, and can stay looking new and beautiful for decades after installation.
- Energy-efficient. With features like argon gas (Standard) or choose from our large Low-E glass options that meet the highest industry standards in energy efficiency.
- Our Vinyl products offer custom crafted sizes to fit a variety of architectural aesthetics.



### We Only Use Stainless Steel In Our Multipoint Locking Systems.

The Out-Swing style features three-point locking hardware that engages at the top, middle and bottom of the door for superior insulation and security.

