

WinDoor®

HIGH PERFORMANCE DOORS & WINDOWS

9020 Series

Fixed Window System Thermally Broken Aluminum

Non-Impact Or Impact

Design Pressures
up to +150 / - 150

BIG Max Size: 60" x 120" - 96" x 72"
& 144" x 72" w/ integral mulls
Minimum Size: 12" x 12"

Water Performance 30 lbs
Single - Double or Triple Glazed
Options

U-Factor as Low as 0.22

SHGC as Low as .19

STC /41

Level 1 - A.T.F.P Bomb Blast Tested
60" x 95 1/2"



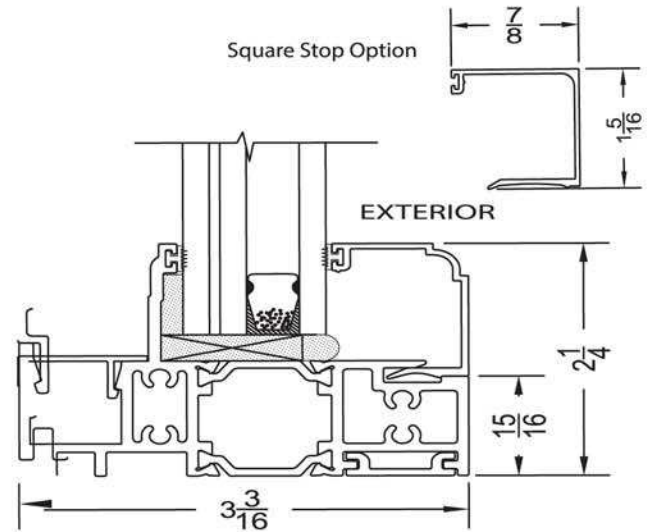
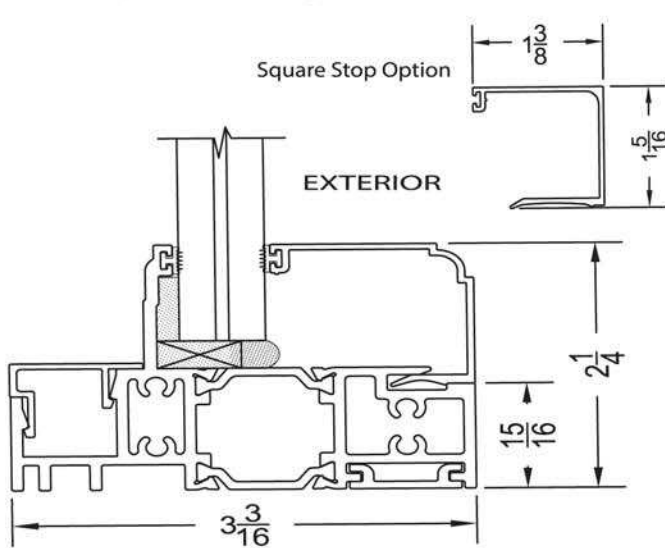
We can even custom paint/matched to the color of any décor, or offer you our **Two-Tone Option... Two different colors Inside & Out!** Or choose from our **Woodgrain** finish options.





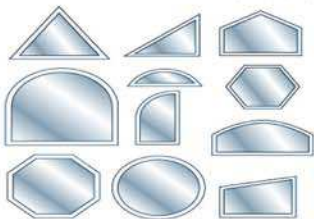
Field Mullions Available

180 Degree Internal Muntins - Various - Configurations - Between Glass - Applied Muntins Over Internal Muntins
1 Inch Wide - Equal, - Fin & Flange Frame available.



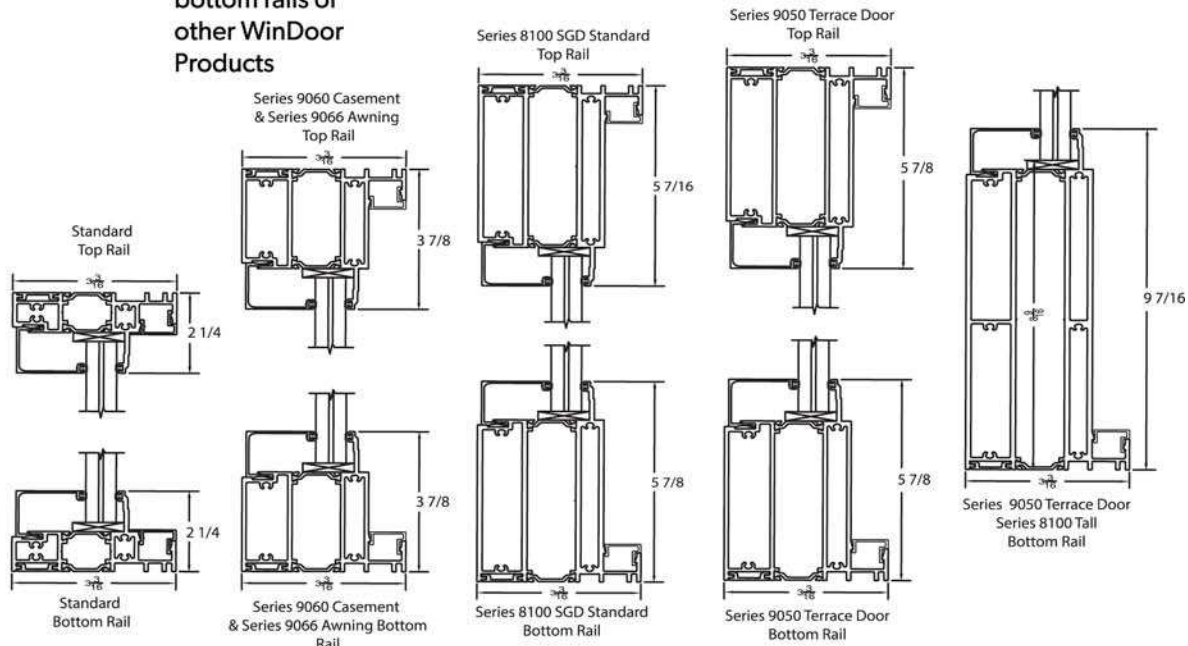
Architectural Shapes are available...

Various shapes and sizes can provide an elegant to a more traditional look. (Some limitations may apply)



Choose from 4 Different Top & 5 Different Bottom Rail Combinations Using The 9020 Fixed Window System

Easily match-up the top & bottom rails of other WinDoor Products



WinDoor reserves the right to change materials design and or construction without notice or liability